

No. 724 Electric chain hoist with geared trolley

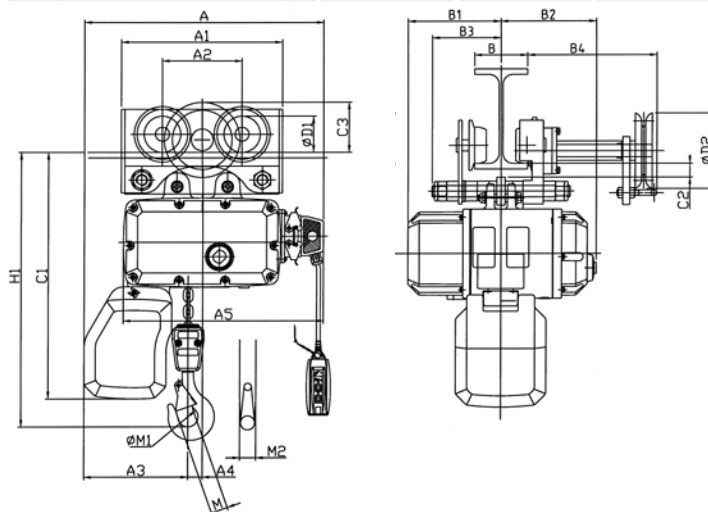
Electric chain hoist with very low dead weight due to aluminium/plastic casing, with contact plug for mains connection and control switch, equipment protection through slip clutch, with zinc-plated high performance hoist chain to EN 818-7-T, voltage 400 V/50 Hz - direct control, protection rating IP 55 - insulation class F, made in Germany. All dimensions in mm.

On request we can provide the following optional extras:

- with special voltage
- with contactor control 42 V
- with remote control
- with spindle limit switch
- with weather protection for lifting unit
- in special design for negotiating turns
- CSA compatible version
- for greater carrier flange widths (with load bolt 2N)



| Load capacity in kg | 125 | 250 | 500 | 1000/1 | 1000/2 | 2000 |
|--|---------------------|---------------------|---------------------|---------------------|---------------------|---------------------|
| No. of chain strands | 1 | 1 | 1 | 1 | 2 | 2 |
| Lifting speed m/min | 8.0/2.0 | 8.0/2.0 | 8.0/2.0 | 10.0/2.5 | 4.0/1.0 | 5.0/1.25 |
| FEM 9.511 ISO 4301 | 2m/M5 | 1Am/M4 | 1Am/M4 | 1Bm/M3 | 1Am/M4 | 1Am/M4 |
| Carrier flange width 1N | 50 - 135 | 50 - 135 | 50 - 135 | 65 - 135 | 50 - 135 | 66 - 186 |
| Output kW | 0.18/0.05 | 0.36/0.09 | 0.75/0.18 | 1.9/0.45 | 0.75/0.18 | 1.9/0.45 |
| Duty cycle % | 100 | 60 | 40 | 30 | 40 | 30 |
| Amperage A | 0.6/0.36 | 1.1/0.65 | 2.1/0.95 | 4.5/2.3 | 2.1/0.95 | 4.5/2.3 |
| Hoist chain | 5 x 15 | 5 x 15 | 5 x 15 | 7 x 21 | 5 x 15 | 7 x 21 |
| Weight at 3 m track height in kg | 44 | 44 | 45 | 65 | 47 | 80 |
| Weight per meter additional lift in kg | 0.75 | 0.75 | 0.75 | 1.3 | 1.5 | 2.6 |
| A | 426 | 426 | 426 | 502 | 426 | 502 |
| A1 | 287 | 287 | 287 | 287 | 287 | 350 |
| A2 | 142 | 142 | 142 | 142 | 142 | 172 |
| A3 | 209 | 209 | 209 | 260 | 235 | 284 |
| A4 | 26 | 26 | 26 | 24 | - | - |
| A5 | 357 | 357 | 357 | 380 | 357 | 380 |
| B | 50 - 135 | 50 - 135 | 50 - 135 | 65 - 135 | 50 - 135 | 66 - 186 |
| B1 (3) | 165 | 165 | 165 | 196 | 165 | 196 |
| B2 | 168 | 168 | 168 | 185 | 168 | 185 |
| B3 | 122 | 122 | 122 | 122 | 122 | 169 |
| B4 | 218 | 218 | 218 | 218 | 218 | 224 |
| C1 | 441 (1)/ 530 (2) | 441 (1)/ 530 (2) | 441 (1)/ 530 (2) | 533 (1)/ 683 (2) | 441 (1)/ 530 (2) | 533 (1)/ 683 (2) |
| C2 | 25 | 25 | 25 | 25 | 25 | 30 |
| C3 | 90 | 90 | 90 | 90 | 90 | 107 |
| D1 | 65 | 65 | 65 | 65 | 65 | 85 |
| D2 | 135 | 135 | 135 | 135 | 135 | 135 |
| H1 | 393 | 393 | 426 | 493 | 489 | 588 |
| M | 22 | 22 | 26 | 32 | 32 | 38 |
| M1 | 30 | 30 | 36 | 43 | 43 | 50 |
| M2 | 19 | 19 | 22 | 29 | 29 | 38 |



- (1) at max. chain length 6 m
- (2) at max. chain length 12 m
- (3) with contactor control lift/drive-operational limit switch the dimension increases by 70 mm