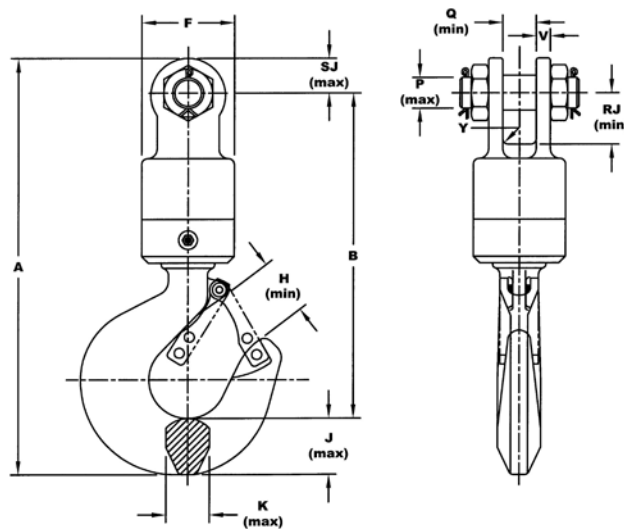


No. 517 b Swivel

with integral tapered roller bearing and grease fitting, painted red, one end with swivel clevis with bolt, nut and split pin and other end with rotating load hook with hook safety latch. All dimensions in mm.



Load capacity in kg	3000	5000	6400	9000	12000	15000
A	348.2	356.6	382.8	473.0	486.2	486.2
B	275.6	284.0	301.9	357.9	371.1	371.1
F	82.5	82.5	82.5	101.6	112.7	112.7
H	28.4	28.4	35.3	48.5	48.5	48.5
J	37.6	37.6	46.0	64.3	64.3	64.3
K	28.4	28.4	35.1	49.0	49.0	49.0
P	31.8	31.8	31.8	44.5	44.5	44.5
Q	36.6	36.6	36.6	42.9	49.3	49.3
RJ	52.5	52.6	52.5	68.3	74.7	74.7
SJ	36.4	36.4	36.4	52.3	52.3	52.3
V	14.2	14.2	14.2	19.1	19.1	19.1
Y	6.4	6.4	6.4	6.4	6.4	6.4
Weight in kg approx.	8.20	8.60	9.00	18.10	20.40	20.40



Do not use swivels in conjunction with wrecking balls. Swivel with 5-time safety factor.