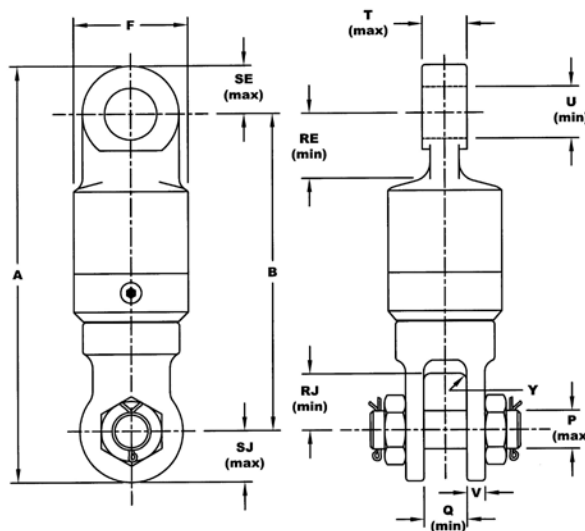


No. 516 c Swivel

with integral tapered roller bearing and grease fitting, painted red, one end with eye and other end with rotating swivel clevis with bolt, nut and split pin.
All dimensions in mm.



Load capacity in kg	3000	4000	7000	12000	19000
A	210.0	310.6	310.6	396.5	416.3
B	149.9	243.6	243.6	294.9	314.7
F	66.8	82.5	82.5	101.6	112.8
P	25.4	31.7	31.7	44.4	44.4
Q	24.6	36.6	36.6	42.9	49.2
RE	31.8	41.4	41.4	64.3	62.0
RJ	34.3	52.6	52.6	68.3	74.7
SE	31.0	32.5	32.5	51.6	51.6
SJ	31.0	36.6	36.6	52.3	52.3
T	23.1	26.2	26.2	32.5	32.5
U	26.2	33.3	33.3	45.2	45.2
V	12.7	14.2	14.2	19.0	19.0
Y	2.3	6.3	6.3	6.3	6.3
Weight in kg approx.	3.30	8.20	8.20	15.90	19.10



Do not use swivels in conjunction with wrecking balls. Swivel with 5-time safety factor.