

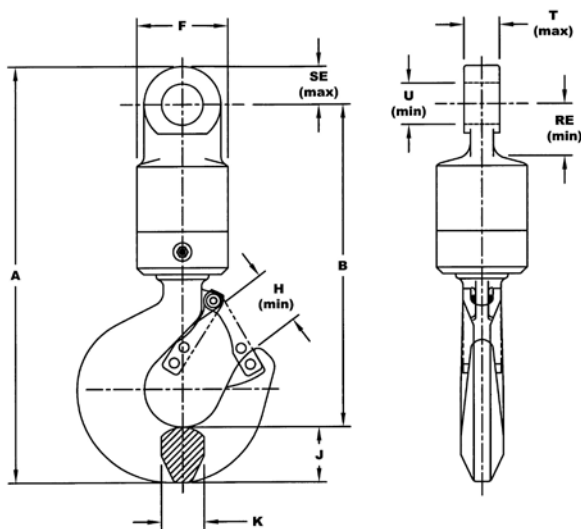
## No. 516 b Swivel

with integral tapered roller bearing and grease fitting, painted red, one end with eye and other end with rotating load hook with hook safety latch.  
All dimensions in mm.



Load capacity in kg	3000	5000	7000	9000	12000
A	341.9	350.3	376.4	471.4	479.8
B	272.5	280.9	298.7	356.4	364.7
F	82.5	82.5	82.5	101.6	112.8
H	28.4	28.4	35.3	48.5	48.5
J	37.6	37.6	46.0	64.3	64.3
K	28.4	28.4	35.0	49.0	49.0
RE	39.5	39.4	39.4	56.9	61.8
SE	34.0	34.0	34.0	51.6	51.6
T	26.2	26.2	26.2	32.5	32.5
U	33.3	33.0	33.3	45.2	45.2
Weight in kg approx.	6.80	6.80	7.30	15.40	17.70

Load capacity in kg	15000	20000	25000	30000
A	479.8	579.9	629.4	673.9
B	364.7	443.2	480.1	515.1
F	112.8	133.4	133.3	165.1
H	48.5	71.1	83.3	83.3
J	64.3	76.2	88.9	88.9
K	49.0	60.5	76.2	76.2
RE	61.8	70.6	70.6	70.9
SE	51.6	63.6	63.6	73.2
T	32.5	63.6	42.2	41.4
U	45.2	53.3	53.3	58.9
Weight in kg approx.	17.70	31.30	41.00	53.00



Do not use swivels in conjunction with wrecking balls. Swivel with 5-time safety factor.